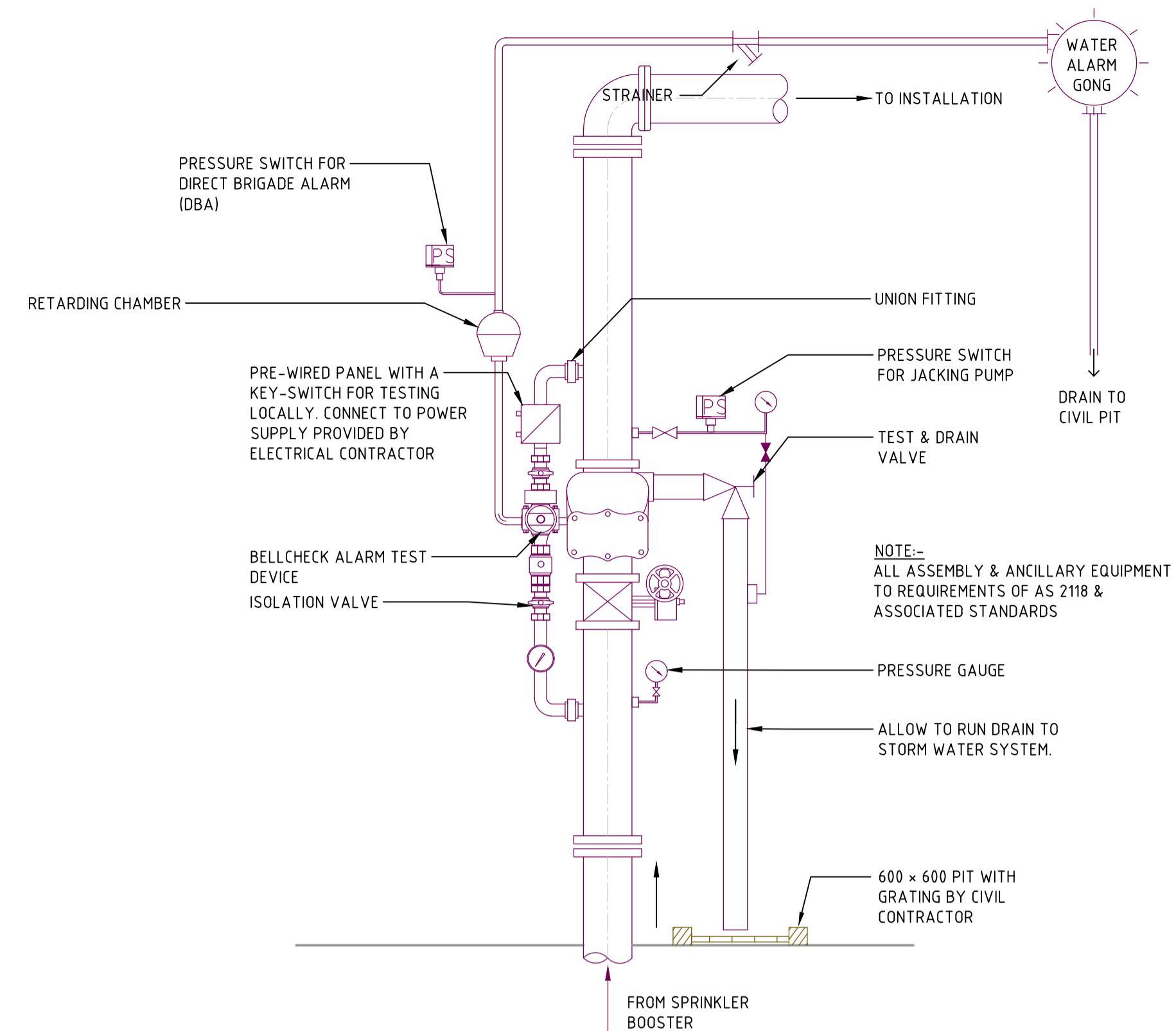
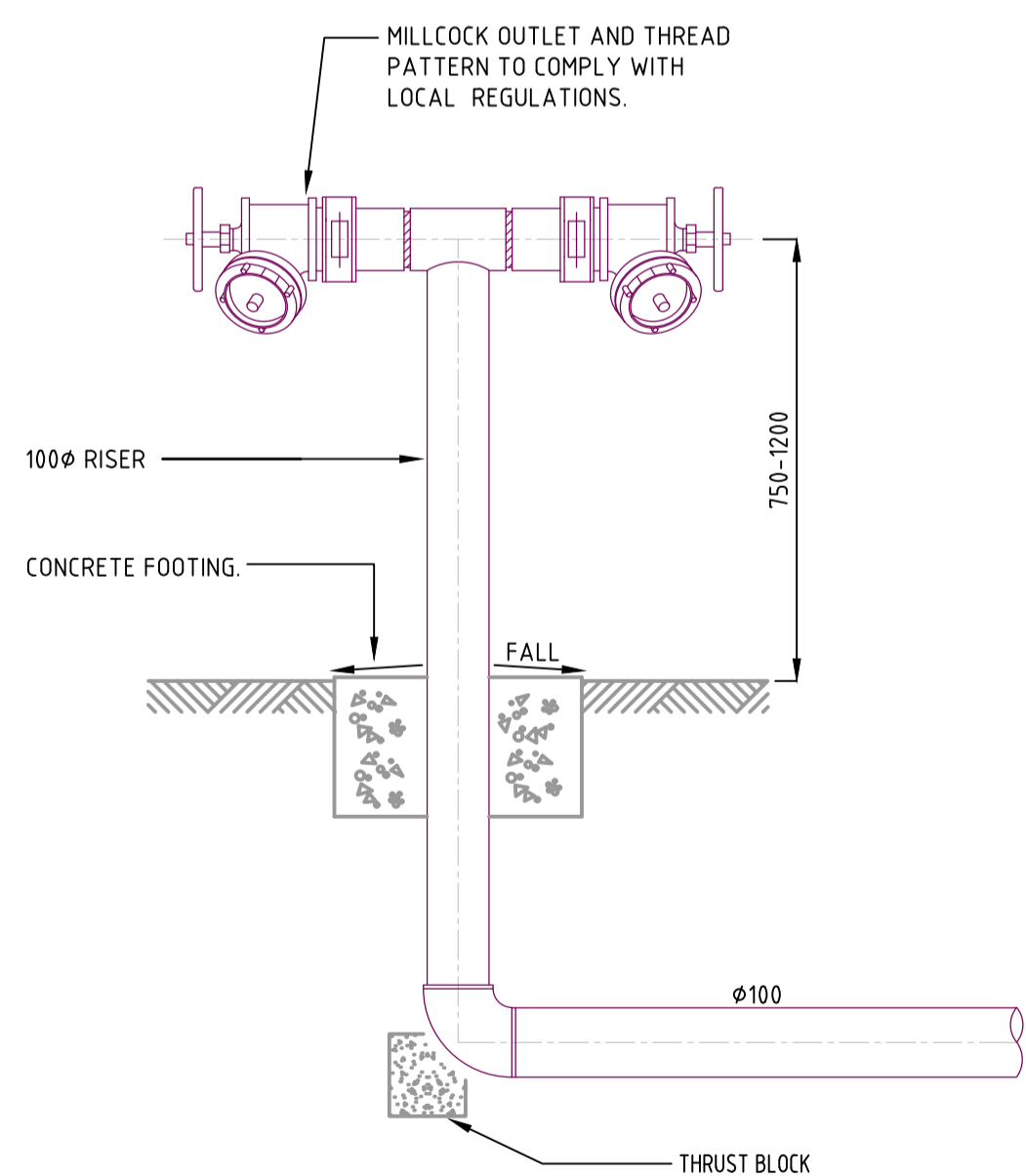


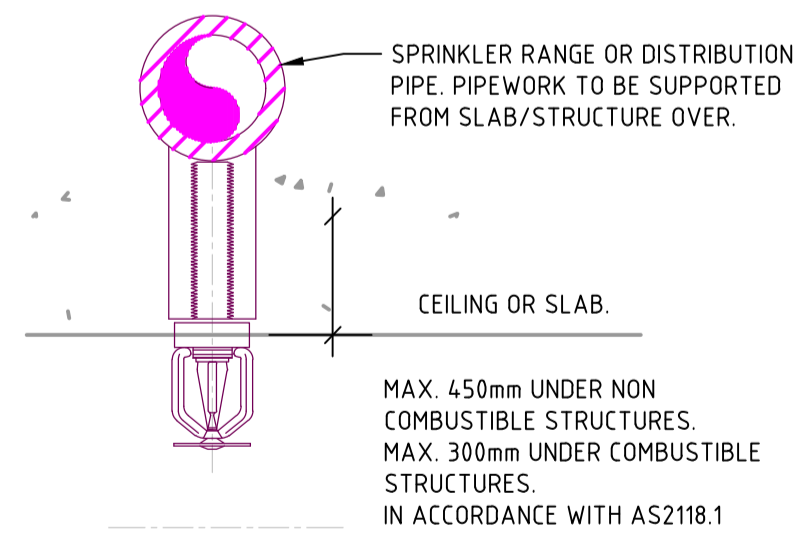
BRIGADE BOOSTER CABINET DETAIL
NTS



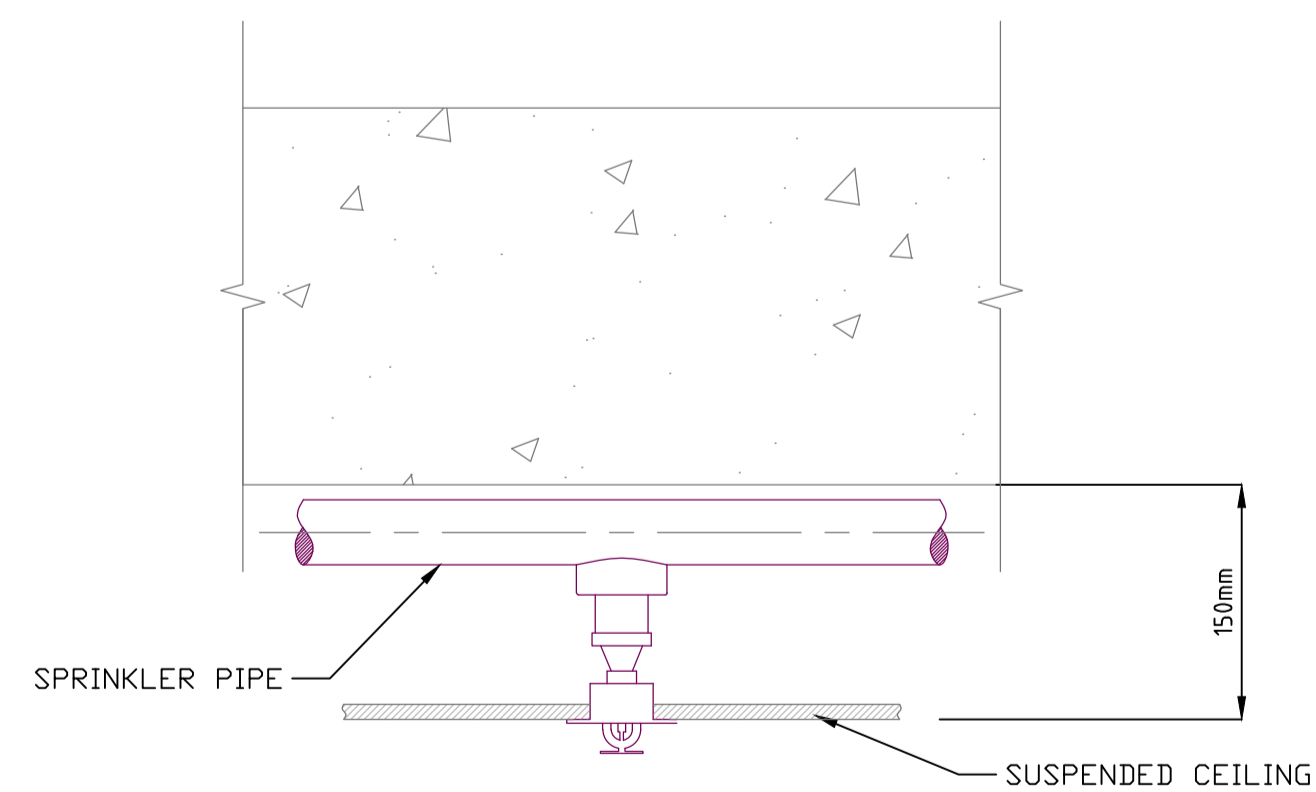
SPRINKLER CONTROL VALVE DETAIL
NTS



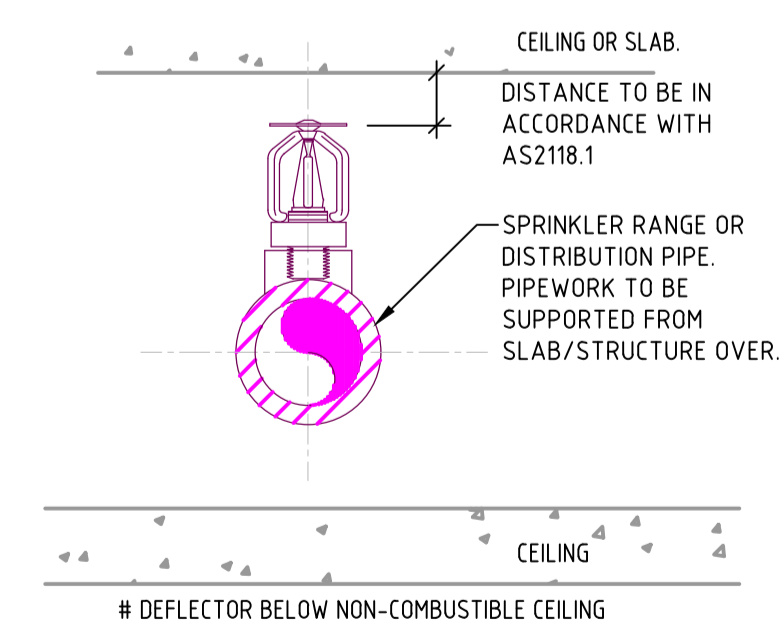
EXTERNAL DUAL HEAD FIRE HYDRANT
NTS



EXPOSED PENDANT SPRINKLER
NTS



SEMI-RECESSED SPRINKLER
NTS



CONCEALED SPACE SPRINKLER
NTS

Rev.	Remark/Comment	Date:	Appr.
3	CONSTRUCTION ISSUE	23.02.22	
2	CONSTRUCTION ISSUE	05.03.21	
1	CONSTRUCTION ISSUE	03.02.21	
B	PRELIMINARY ISSUE	24.11.20	
A	PRELIMINARY ISSUE	16.10.20	

Client:
BORAT NO.3 PTY LTD

Architect:
TOM ROBERTSON ARCHITECTS



Project:
**1 STEWART STREET BRUNSWICK
1 STEWART STREET
BRUNSWICK VIC 3056**

Drawing:
**FIRE SERVICES
DETAILS**

THIS DRAWING HAS BEEN DOCUMENTED IN COLOR AND MUST BE PRINTED IN COLOR, OTHERWISE INFORMATION WILL BE LOST

CONSTRUCTION

Date: 06.10.2020	Engineer: J.B	Drawn: I.C
Scale @ A1: NTS	Checked:	Sheets: 9
Reference No. 133418	Drawing No. F900	Rev. 3

© This drawing is copyright to Intrax Consulting Engineers, no part of this drawing shall be used for any other purpose without the prior written consent of Intrax Consulting Engineers.